

LOAD RESTRAINT GUIDELINE

Slab

1. This guideline applies to:

- Transportation of profiled, shot blasted and as cast slabs by road.
- Minimum product width of 1100 mm.
- Maximum product length of 12 m.
- Maximum product weight of 30 tonnes.

The lowest friction factor, determined as per EN 12195-1:2010 Annex B.1.2, is $\mu=0.6$.

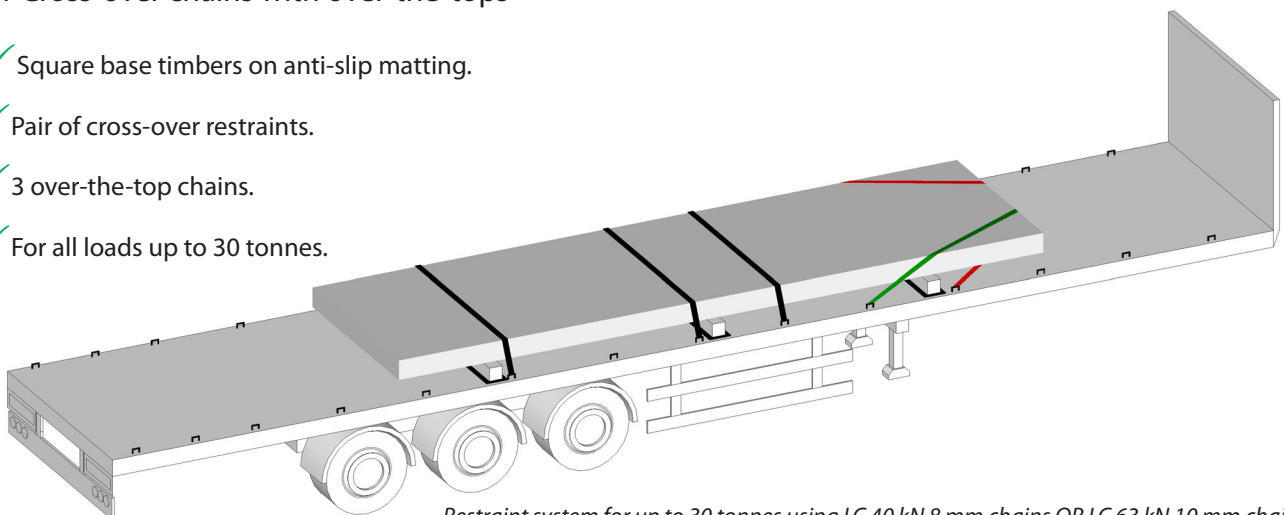
2. Essential requirements

- All restraints must be minimum 8 mm Grade 8, LC 40 kN chains compliant with EN 12195-3.
- Lightweight trailers to be used to cater for heavier loads.
- Minimum lashing point rating of 3 tonnes for cross-over option.
- Anti-slip matting must be placed between base timbers and the trailer deck.
- Loads to be placed on a single layer of timber dunnage with a minimum square cross-section of 125 mm x 125 mm.
- The product must be loaded away from the headboard to achieve correct axle loadings.
See Technical Information Sheet TIS-0012 *Axle weights and load distribution* for more details.

3. Overview of restraint system

3.1 Cross-over chains with over-the-tops

- ✓ Square base timbers on anti-slip matting.
- ✓ Pair of cross-over restraints.
- ✓ 3 over-the-top chains.
- ✓ For all loads up to 30 tonnes.



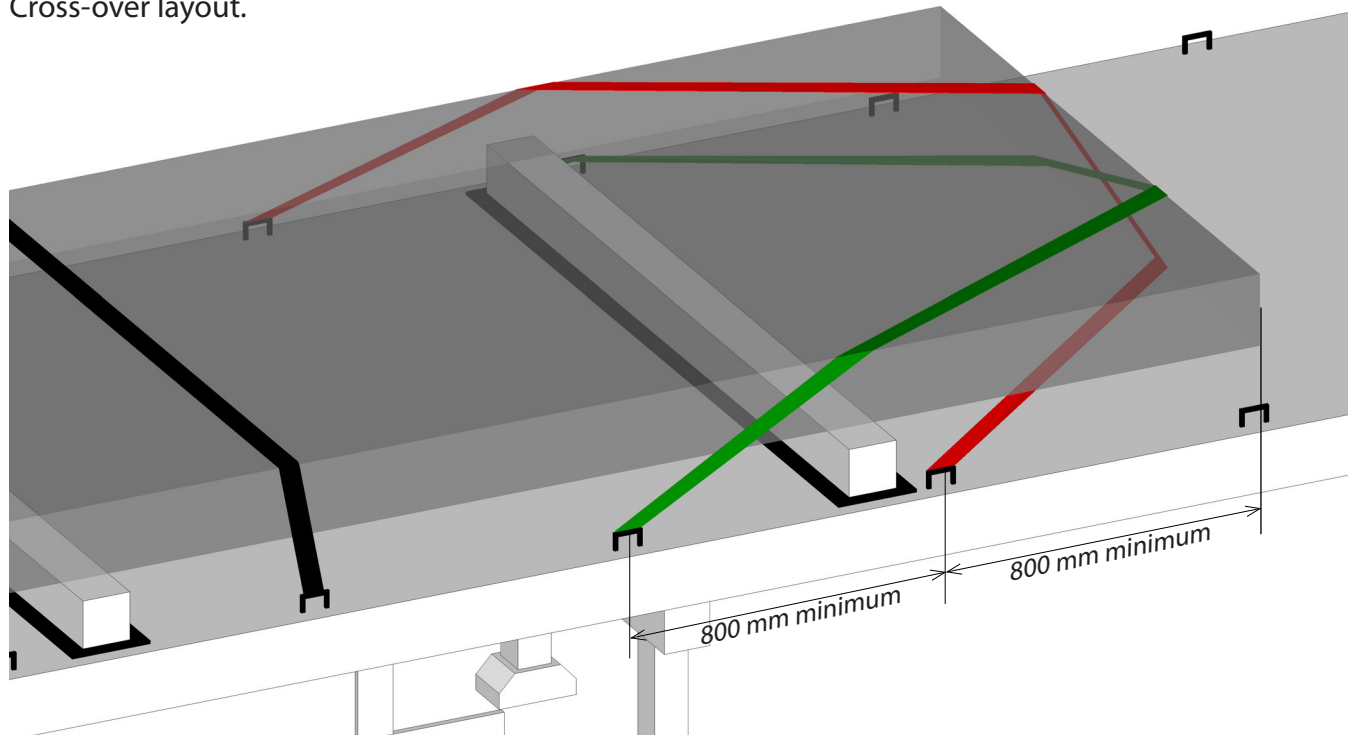
Restraint system for up to 30 tonnes using LC 40 kN 8 mm chains OR LC 63 kN 10 mm chains.

This Load Restraint Guideline is designed to meet the forces for road transport as stated in EN 12195-1:2010 and VDI 2700.

LOAD RESTRAINT GUIDELINE

Slab

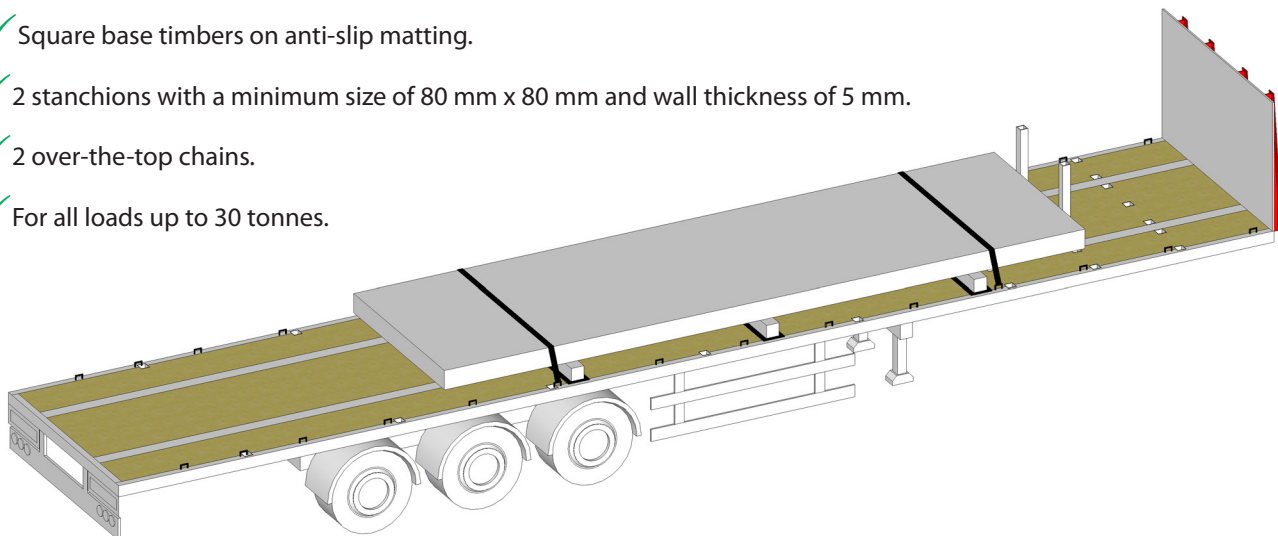
Cross-over layout.



- ✓ Base timbers must NOT interfere with cross-over chains.
- ✓ Minimum lashing point rating of 3 tonnes.
- ✓ Minimum distance from front of product to first lashing point of 800 mm.
- ✓ Minimum LC 40 kN 8 mm chains.
- ✓ Tensioner to be placed on the rear leg of the cross-over chain.

3.2 Stanchions with over-the-tops

- ✓ Square base timbers on anti-slip matting.
- ✓ 2 stanchions with a minimum size of 80 mm x 80 mm and wall thickness of 5 mm.
- ✓ 2 over-the-top chains.
- ✓ For all loads up to 30 tonnes.

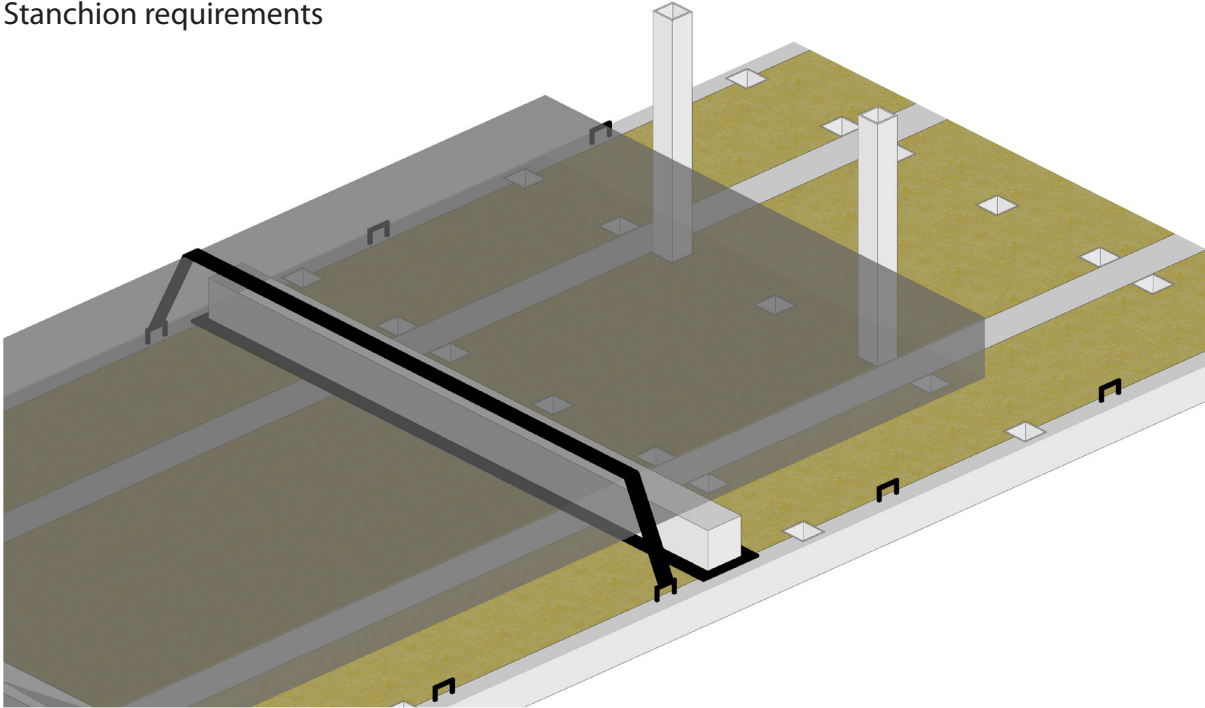


Restraint system for up to 30 tonnes using LC 40 kN 8 mm chains OR LC 63 kN 10 mm chains.

LOAD RESTRAINT GUIDELINE

Slab

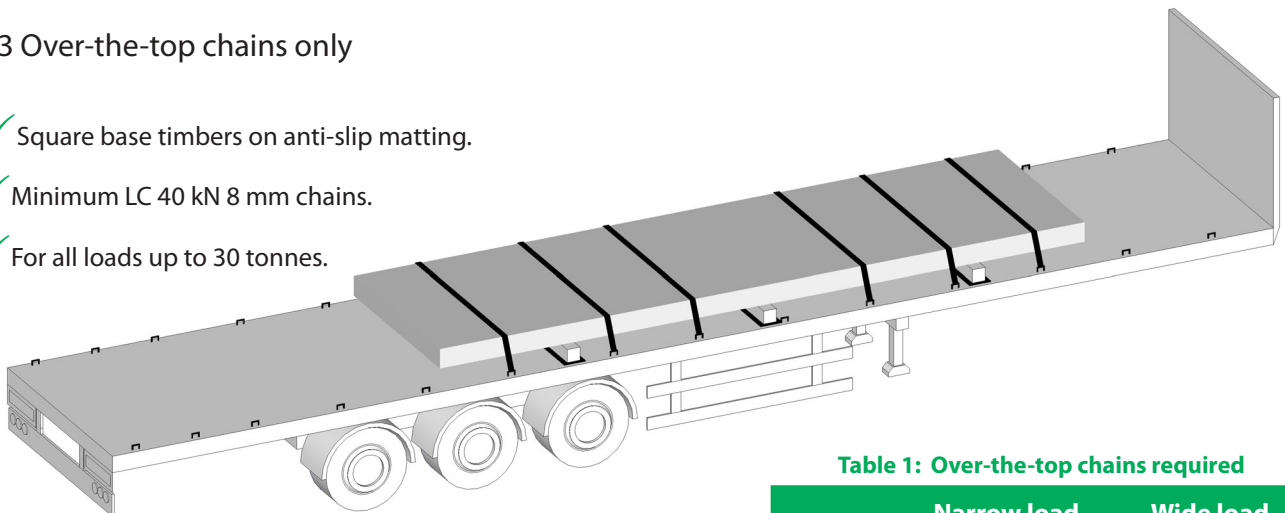
Stanchion requirements



- ✓ Stanchions must be a minimum size of 80 mm x 80 mm and wall thickness of 5 mm.
 - See Technical Information Sheet TIS-0011 *Side pins and deck stanchions* for further details.
- ✓ Ensure stanchions and stanchion pockets are in good condition.
 - Stanchions and pockets are to be inspected regularly for corrosion and damage.
- ✓ Stanchions must be fitted before loading to ensure minimal gaps between product and stanchions.
- ✓ Ensure that the stanchions are evenly spaced across to the load.

3.3 Over-the-top chains only

- ✓ Square base timbers on anti-slip matting.
- ✓ Minimum LC 40 kN 8 mm chains.
- ✓ For all loads up to 30 tonnes.



Restraint system for a wide load up to 20 tonnes using LC 40 kN 8 mm chains.

- ✓ Narrow loads classed as **under** 1800 mm wide.
- ✓ Wide loads classed as **over** 1800 mm wide.

Table 1: Over-the-top chains required

Load	Narrow load		Wide load	
	8 mm	10 mm	8 mm	10 mm
up to 16t	6	4	5	3
16t > 20t	6	4	6	4
20t > 23t	7	5	6	4
23t > 27t	8	6	7	5
27t > 30t	9	6	8	6

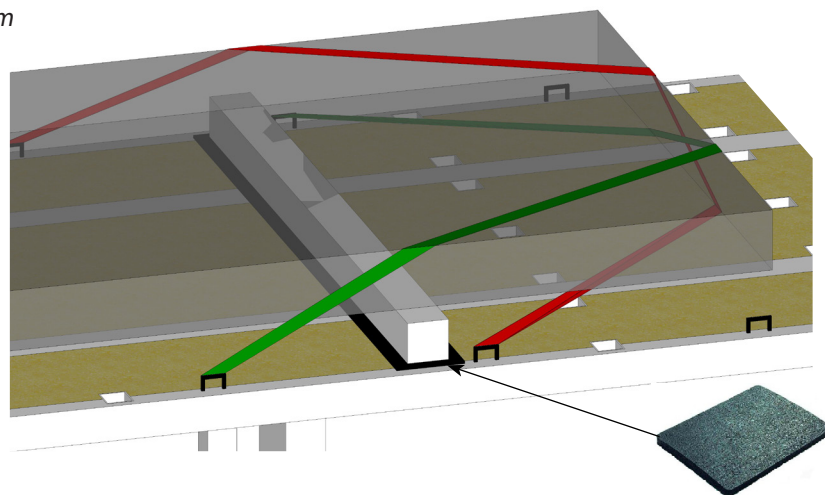
LOAD RESTRAINT GUIDELINE

Slab

4. Anti-slip matting

- Recommended thickness: 10 mm is suitable for most applications.
- Anti-slip matting is to be applied in strips to effectively prevent timber on deck, or steel on wood contact where required.

Standard restraint system

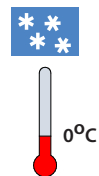


✓ Anti-slip matting under base timbers.

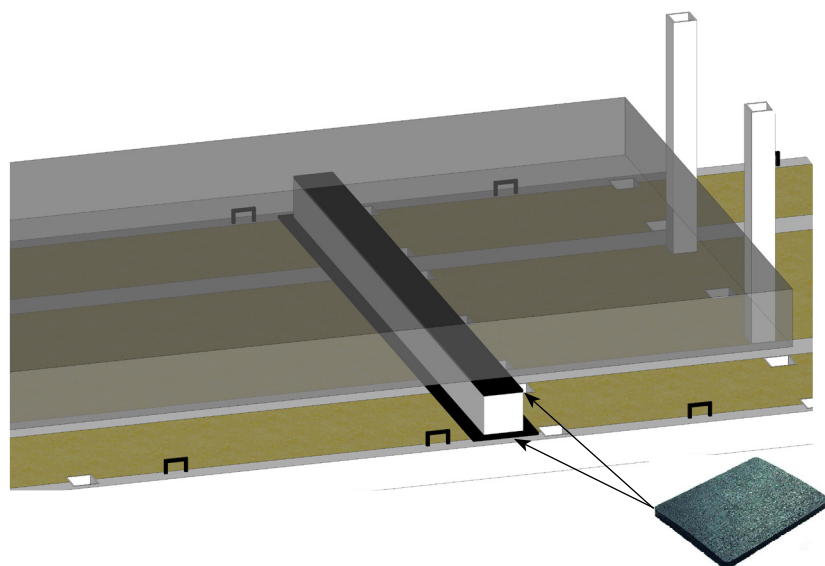
Note: It is important to ensure that the anti-slip matting is visible beneath the product for inspection purposes.

5. Severe winter weather advisory periods

- During severe winter weather advisory periods, additional measures are required.
- Anti-slip matting to be placed on both sides of ALL base timber dunnage.



Winter restraint system



✓ Anti-slip matting on both sides of base timbers.

Care has been taken to ensure that the contents of this publication are accurate, but Tata Steel Europe Limited and its subsidiaries do not accept responsibility or liability for errors or information that is found to be misleading.